

PRODUCT TECHNICAL AND OPERATIONAL DOCUMENTATION

INSTALLATION MANUAL

- 11. Awnings
- 11.13 Side awning **BORA**
- 11.13.1 Installation manual



PRODUCT TECHNICAL AND OPERATIONAL DOCUMENTATION

Installation manual

11.13.1 DT-E

PRODUCT NAME

SIDE AWNING

BORA

PRODUCT MANUFACTURER'S MARKING:

Manufacturer's name:

- SELT Sp. z o.o.

Manufacturer's head office:

- 45- 449 Opole, ul. Wschodnia 23A

Website

- www.selt.com

Plant address:

- Awning production department [Wydział Produkcji Markiz]
45- 449 Opole, ul. Wschodnia 23A

Contact details:

- Tel: +48 77 553 21 00 (secretariat)
Fax: +48 77 553 22 00

E-mail:

- selt@selt.com

PRODUCT SAFETY MARKING:

- Product conforms to CE safety requirements

This Technical and Operational Documentation:

- Is valid from: 01 April 2017.
- Is valid for product versions designated above.

Table of contents

1	Introduction.....	4
1.1	Product safety tips	4
1.2	Notes on symbols and marks.....	4
1.3	Definitions.....	5
1.4	Subject, designation and contents of the documentation.....	5
2	Product technical information	6
2.1	Technical parameters	6
2.2	Side awning construction	6
2.3	Side awning elements.....	7
2.4	Side awning elements extensions	8
3	Product installation	9
3.1	General requirements for safe installation	9
3.2	Requirements for safe installation at heights	9
3.3	Preparation to installation.....	9
3.4	General guidelines for installation	10
3.5	Installation tools	10
3.6	Bora awning installation – wall brackets and permanent brackets	11
3.7	Guidelines for installation – cassette bracket and cassette hanger.....	13
3.8	Bora awning installation	14
3.8.1	Cassette hangers installation	14
3.8.2	Fixed bracket installation	16
3.8.3	Fixed bracket installation (natural ground).....	16
3.8.4	Wall bracket installation.....	17
3.8.5	Handle regulation and blocking in the bracket	17
4	Final remarks	19
4.1	Completeness and qualitative state of delivery	19
4.2	General conditions for transport and storage of the product	19
5	Marking and labelling the product with CE mark.....	Błąd! Nie zdefiniowano zakładki.
5.1	Product compliance with the CE standard	Błąd! Nie zdefiniowano zakładki.
5.2	Information accompanying the CE mark	Błąd! Nie zdefiniowano zakładki.

1 Introduction

1.1 Product safety tips






The product was manufactured in accordance with the latest know-how in the area of constructing and manufacturing technology and is delivered in condition assuring operational safety.

No.	Subject	European legal basis	Polish legal basis
1	External blinds. Performance requirements including safety	EN- 13561:2015	PN-EN 13561:2015
2	Construction Products Regulation (CPR)	Regulation (EU) no 305/2011 of the European Parliament and of the Council	DZ. U [Journal of Laws] 2004, No. 92, item 881 as amended by, DZ. U [Journal of Laws] 2016, No. 1570; 2015, No. 1165; 2016, No. 542

Declaration of Performance is added to the Product Technical and Operational Documentation: **Side awning BORA**

1.2 Notes on symbols and marks

The below symbols (icons) denote particularly important information concerning threats and safety.

Icon	Icon meaning	Information
	INFORMATION	Prior to using the product, its operating manual should be read. Following the operating manual guarantees: - failure-free use of the product, - warranty coverage against product defects. Keep the operating manual for safety of people.
	INFORMATION	No harmful or dangerous consequences for people or facilities.
	ATTENTION!	A situation likely to cause product damage or other damage. No threat for people.
	WARNING!	Threat of danger
	DANGER!	This symbol denotes all information concerning danger, failure to observe which brings about threat to human life and health. Risk: threat of serious injury or death. Dangerous operation which may cause injuries or product damage.

1.3 Definitions

The terms and definitions used within this documentation shall mean:

Product: side awning BORA

Side awning:

Side awning, is an external sun protection system installed solely on the outside of the building, vertically to the ground, with a side system of pulling the fabric out. It is also used as a cover separating part of a terrace or usable area.

Awning fabric:

Part of the product serving for protection from sun light, but also having a decorative function. Manufactured from high quality materials is put into motion with manual control mechanism, assuring the product fulfils its function.

1.4 Subject, designation and contents of the documentation

Products manufactured by **SELT SP. Z O.O.** are the subject of this documentation.

This documentation is valid for all type of **BORA side awning**.



The documentation is valid jointly with the information concerning a specific product, which is available on the website www.selt.com

The documentation is a component of product delivery and should be constantly stored in its proximity.

The documentation includes:

- important recommendations concerning product installation, use and maintenance,
- important recommendations concerning product transport and storage,
- tips following which will assure long-time and fault-free use of the product.

SELT SP. Z O.O. shall not bear responsibility for damage resulting from failure to follow recommendations included in the documentation.

In order to further improve the product, SELT SP. Z O.O. reserves the right to introduce changes which, while maintaining the essential technical parameters, shall be deemed purposeful for improving product operation quality and safety of use.

SELT SP. Z O.O. with a head office in Opole shall hold the copyrights to this documentation. The documentation cannot be used without permission, either partially or as a whole, for any concurrent business activity nor can it be made available to third parties.

2 Product technical information

Product technical specification is available at www.selt.com after log in.

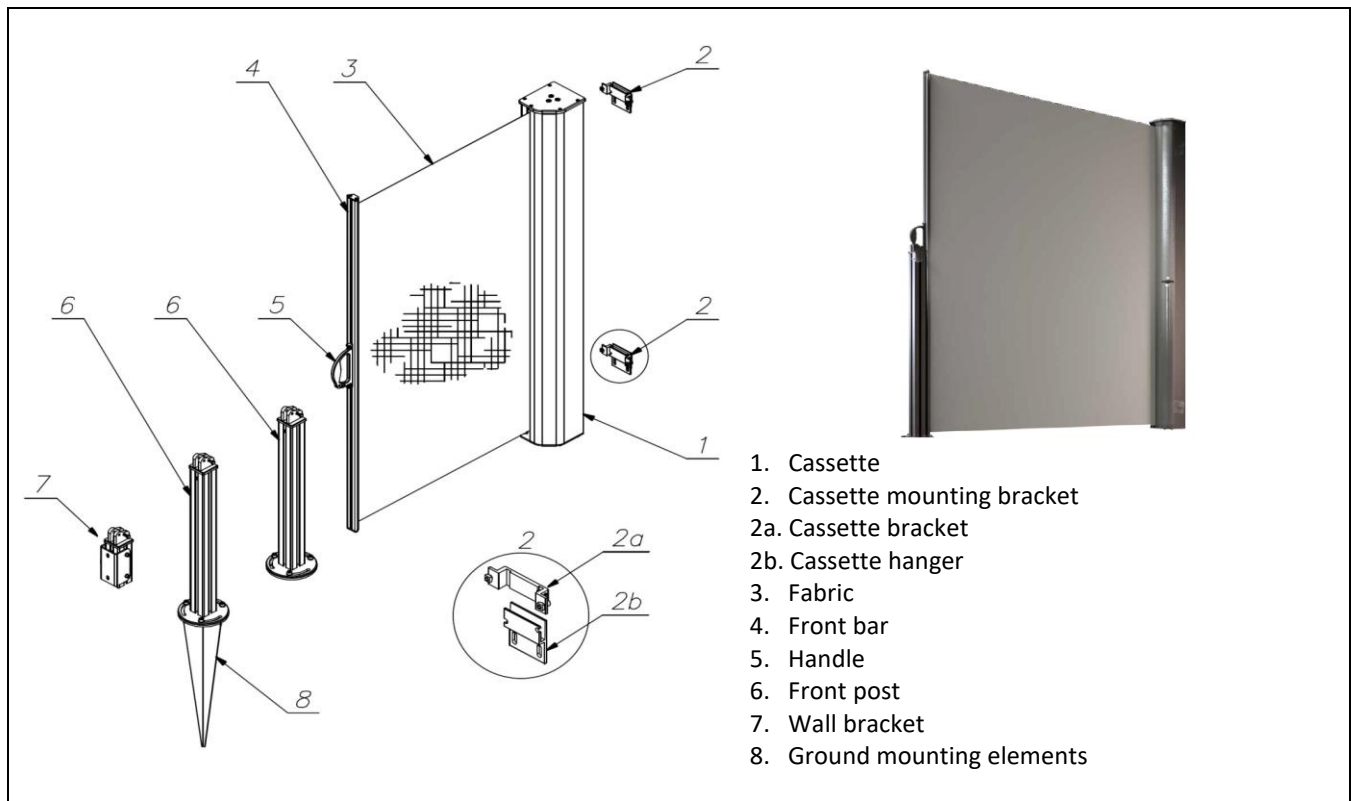
2.1 Technical parameters

Projection:	Up to 4 m
Maximum projection	4m
Minimum height	1,1m
Maximum height	2m
Roller tube diameter	70mm
Manual drive	Left handed or right handed spring
Construction colour	(powder coating), white, beige, brown, silver, structural graphite
Fabric	Awning fabric, C.150 patterns
Application	External
Installation place	Wall, permanent mounting to the ground

The tolerance of external dimensions is $\pm 2\text{cm}$

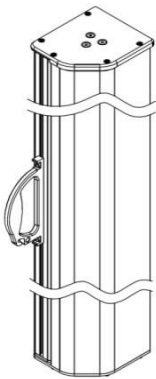
Due to technological reasons, slight differences in colour shade are deemed acceptable and they are not a ground for complaint.

2.2 Side awning construction

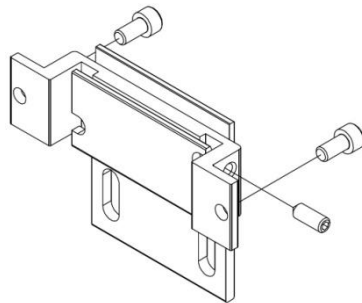


2.3 Side awning elements

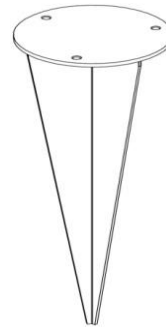
Cassette (on the drawing- left drive side.)



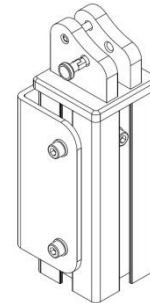
Cassette mounting bracket



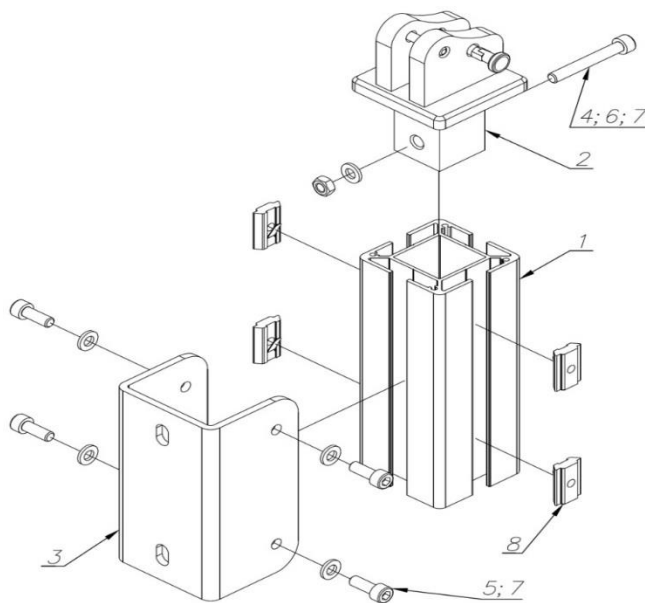
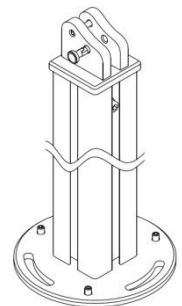
Mounting for natural ground



Wall bracket



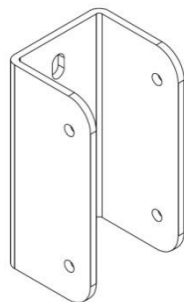
Front post



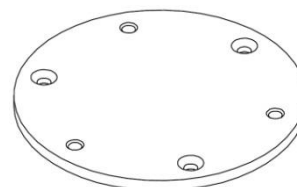
Wall bracket elements

- 1) Windbreaker Bora Pole L=150 mm - 1 pc.
- 2) Handle bracket (set) - 1 pc.
- 3) Fixed wall bracket - 1 pc.
- 4) Screw M6x45 (DIN 912) - 1 pc.
- 5) Screw M6x16 (DIN 912) - 4 pcs.
- 6) Nut M6 (DIN 934) - 1 pc.
- 7) Pad 6 (DIN 125-1A) - 6 pcs.
- 8) Mounting insert DSP M6 - 4 pcs.

Fixed wall bracket

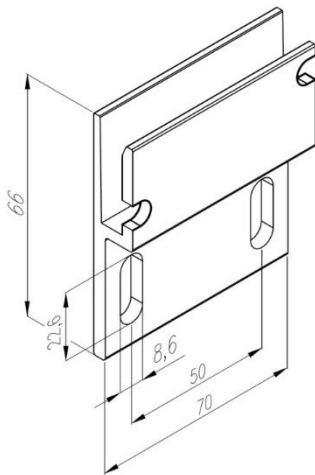


Fixed foot plate

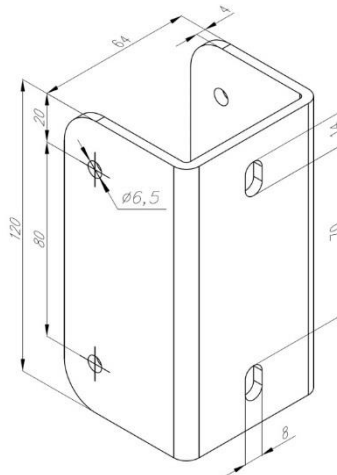


2.4 Side awning elements extensions

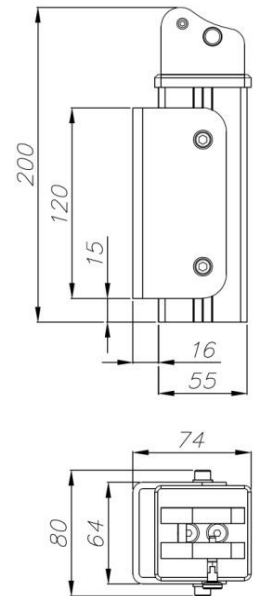
Cassette hanger



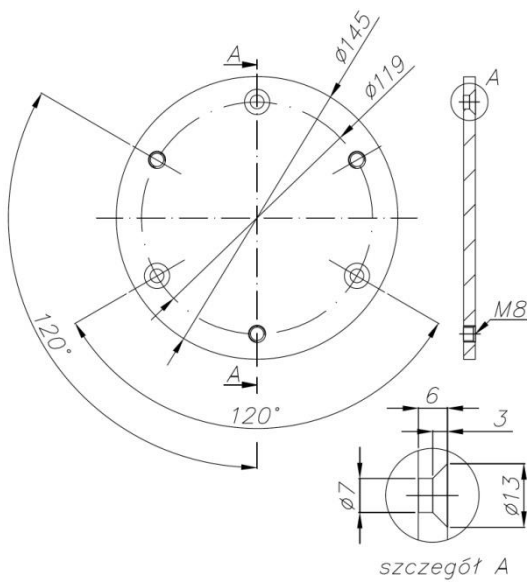
Fixed wall bracket



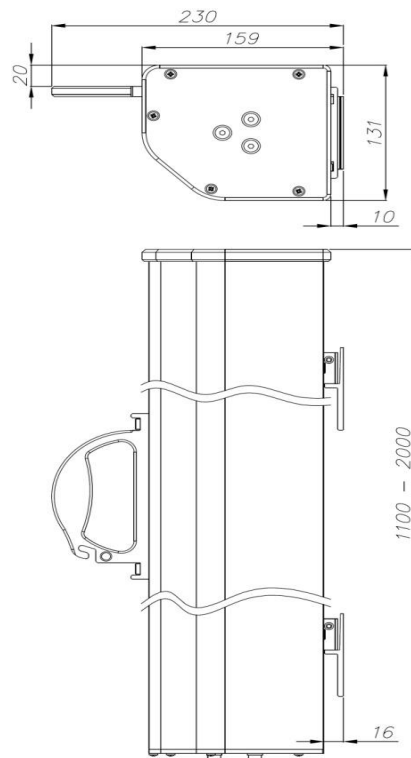
Wall bracket



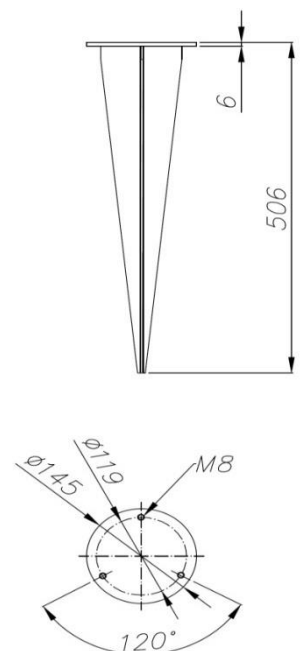
Fixed foot plate



Cassette



Mounting for natural ground



3 Product installation

The following part covers general requirements of the product installation. Proper installation is necessary for efficient operation of the product. SELT SP. Z O.O. recommends to use services of skilled installation crews what guarantees the Purchaser proper installation.

3.1 General requirements for safe installation

- it is necessary to follow general rules of construction art,
- it is necessary to follow health and safety regulations, especially concerning work with electricity and at heights,
- it is necessary to install the product in a mechanical manner (foams, glues or similar materials are not allowed for mounting the product),
- product should be installed to even surfaces, that at the same time ensure proper strength ,
- before starting the installation remove all unnecessary elements from the installation area.

3.2 Requirements for safe installation at heights



Installation of the product, because it requires performing work at heights, is particularly dangerous because it poses a high risk of danger to human health and safety and in particular fall from height.

Preparation of a plan on health and safety during installation is the responsibility of the Purchaser.

Purchaser should determine specific requirements of health and safety when working at height, and especially to ensure:

- direct supervision of work execution by the designated person (e.g. the foreman),
- adequate safeguards measures, in particular protective equipment against falls from height,
- detailed instruction of employees performing work at heights.

Work at heights above 2 meters, requiring using personal protective equipment against falls from height, must be performed by at least 2 people.

Work at heights should be organized and carried out in a way that does not force employees to lean out of the railings or outline of a device on which they stand. The buyer has an obligation to ensure that areas of work at heights can be accessed only by authorized and informed personnel. Health and safety professionals should inform employees residing or staying at the conduct of such works or in the vicinity of the site about conducted operations at heights and the necessary safety measures to be applied during this work.

3.3 Preparation to installation

- unpack product and check if it contains all necessary elements for installation,
- make sure that the base where product will be mounted provides sufficient bearing capacity for safe installation and operation of the product,
- prepare set of tools necessary for installation.

3.4 General guidelines for installation

- The product should be protected against any stains made by e.g. silicon, mortar or mounting foam, which may cause its damage,
- Using any chemical substances containing bituminous substances or any other substances making reactions with the product is forbidden,
- The cassette of side awning should be installed to the wall,
- The wall bracket should be installed to the wall,
- The front post should be installed to hard ground (e.g. concrete, bricks),
- The front post with natural ground mounting should be installed to natural subsoil.




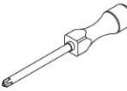
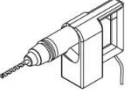




Awning installation, adjustment and test its testing can be carried out by service crew or trained persons only. Person conducting the installation and first run is responsible for appropriate fixing of the awning including fixing elements, allowing for its correct operation and parameters.



Improper installation may cause hazardous situation for the user.

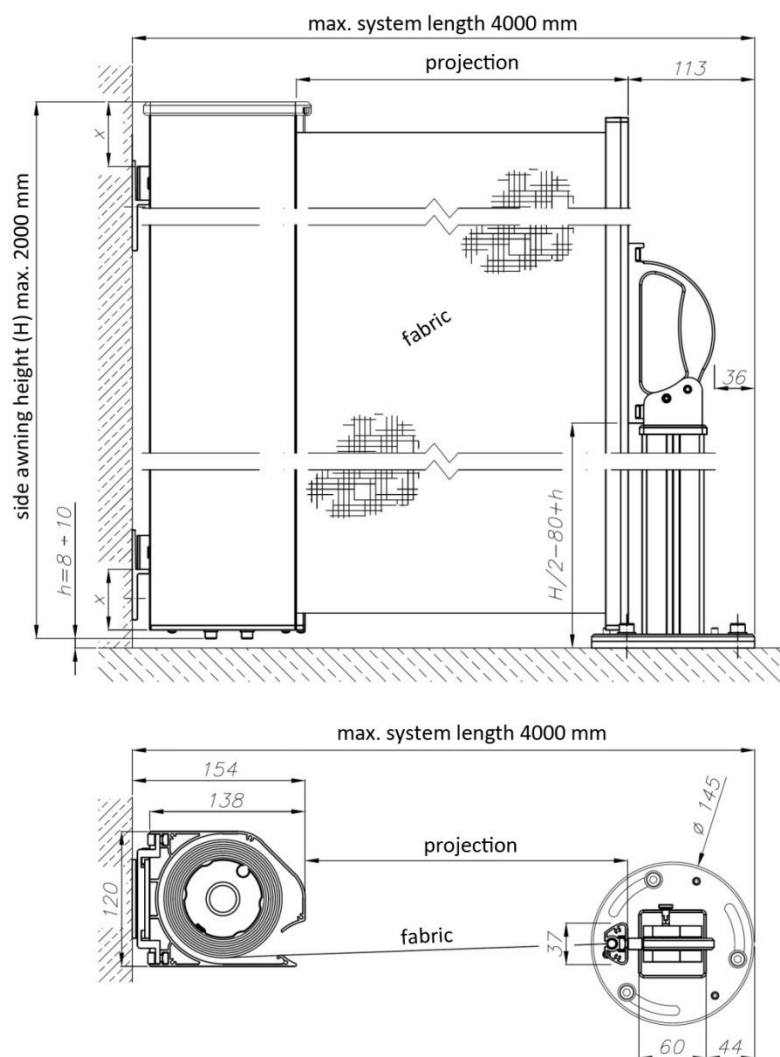
3.5 Installation tools

				drills hammer drill, ladder/scaffolding, screw-driver, hammer,	measure tape, pencil/marker, spirit level, ring/Allen wrenches
					

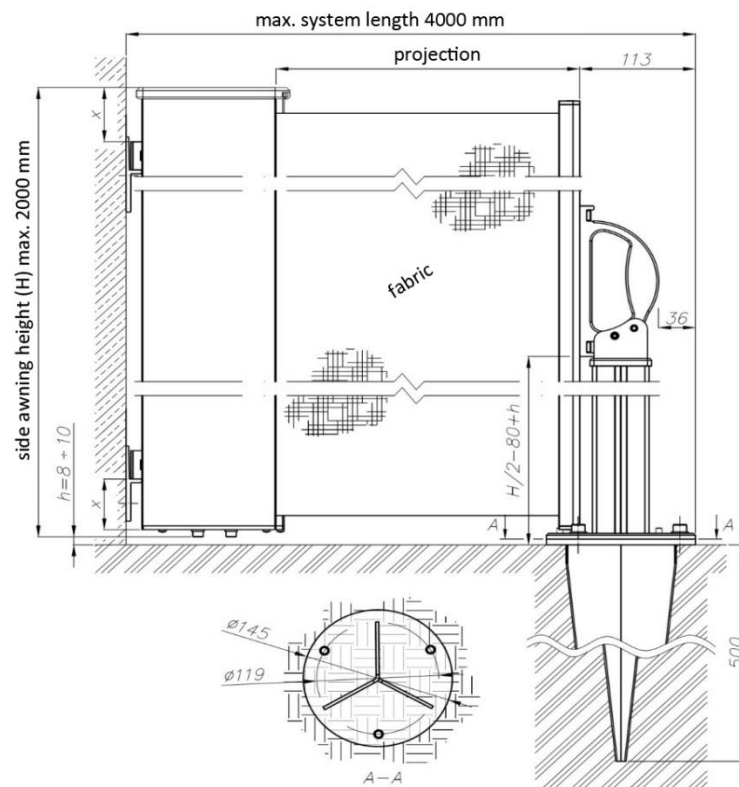
3.6 Bora awning installation – wall brackets and permanent brackets

The side awning Bora can be installed in three configurations, according to the manner of fixing the bracket responsible for fastening to the front bar:

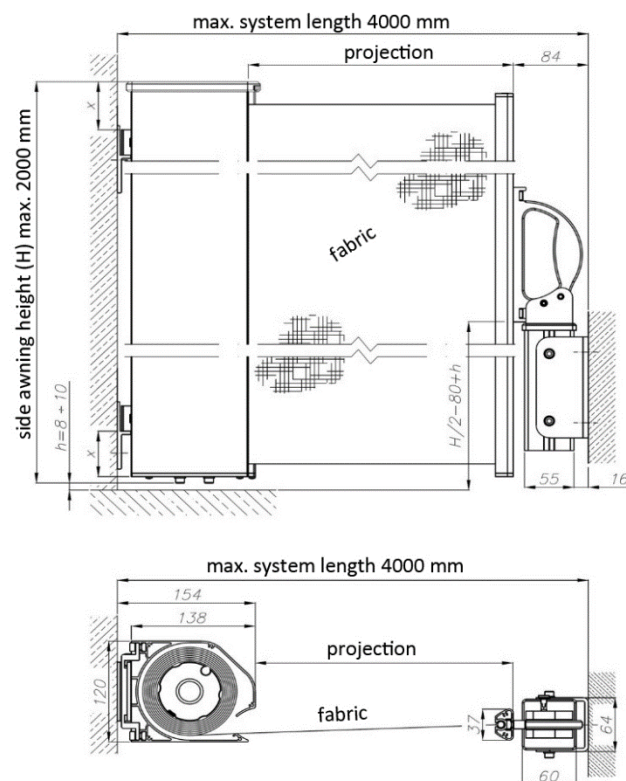
- **Front post** – mounting to hard ground (e.g. concrete) with use of elements: front post + fixed footing pole.
 - **Front post with mounting for natural ground** – mounting for soft surface with use of elements: front post + mounting for natural ground
 - **Wall bracket** – mounting to the wall
- Exemplary manner of installation – concrete/foundation



- Exemplary manner of installation – soft ground



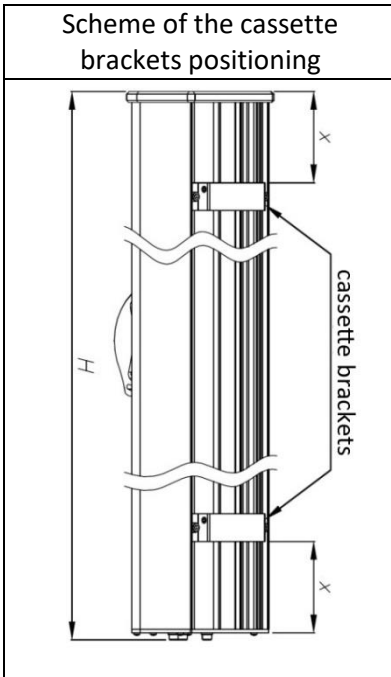
- Exemplary manner of installation - wall



3.7 Guidelines for installation – cassette bracket and cassette hanger

- Cassette bracket**

After unpacking the product pay attention to the positioning of cassette brackets, which are set up according to the height of the cassette.

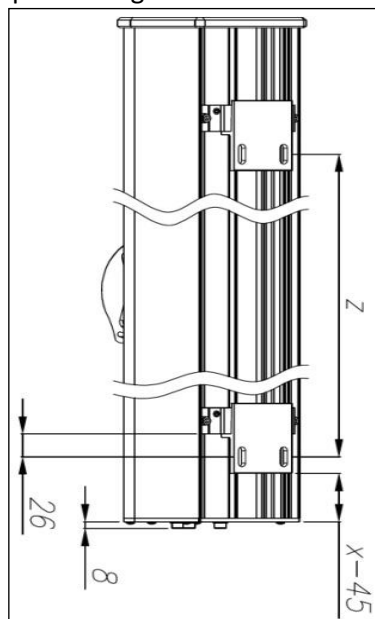


Cassette brackets positioning measures				
Total height of the awning H [mm]	from 1300	1301 ÷ 1500	1501 ÷ 1800	1801 ÷ 2000
Location of the brackets- distance X [mm] from both of the cassette edges	100	150	200	250

- Delineation of the spots for cassette hangers**

The easiest way of marking the spots for cassette hangers installation is to put them on the cassette brackets and read off the dimension 'Z' (see picture below). Pay attention also to the proper distance from the ground.

Scheme of the cassette hangers positioning

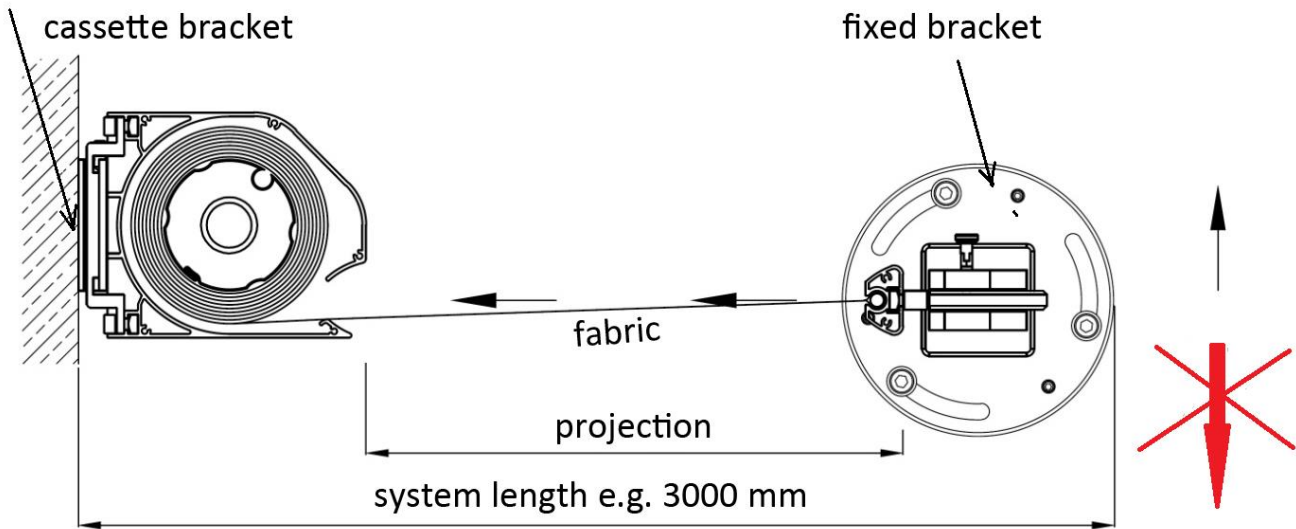


3.8 Bora awning installation

Cassette mounting should be fixed in such manner, that rolling up and placement of the front bar in the cassette is aligned (presented by two horizontal arrows on the drawing below).

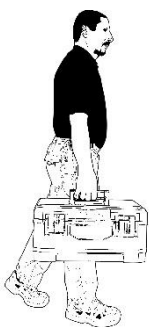
Distance between the cassette hanger and the fixed/wall bracket cannot be longer than the system projection.

It is allowed to move the fixed bracket up to 5° (about 300 mm) in the direction shown below (see drawing). It is forbidden to install the permanent mounting moved in the direction shown with the crossed out arrow.



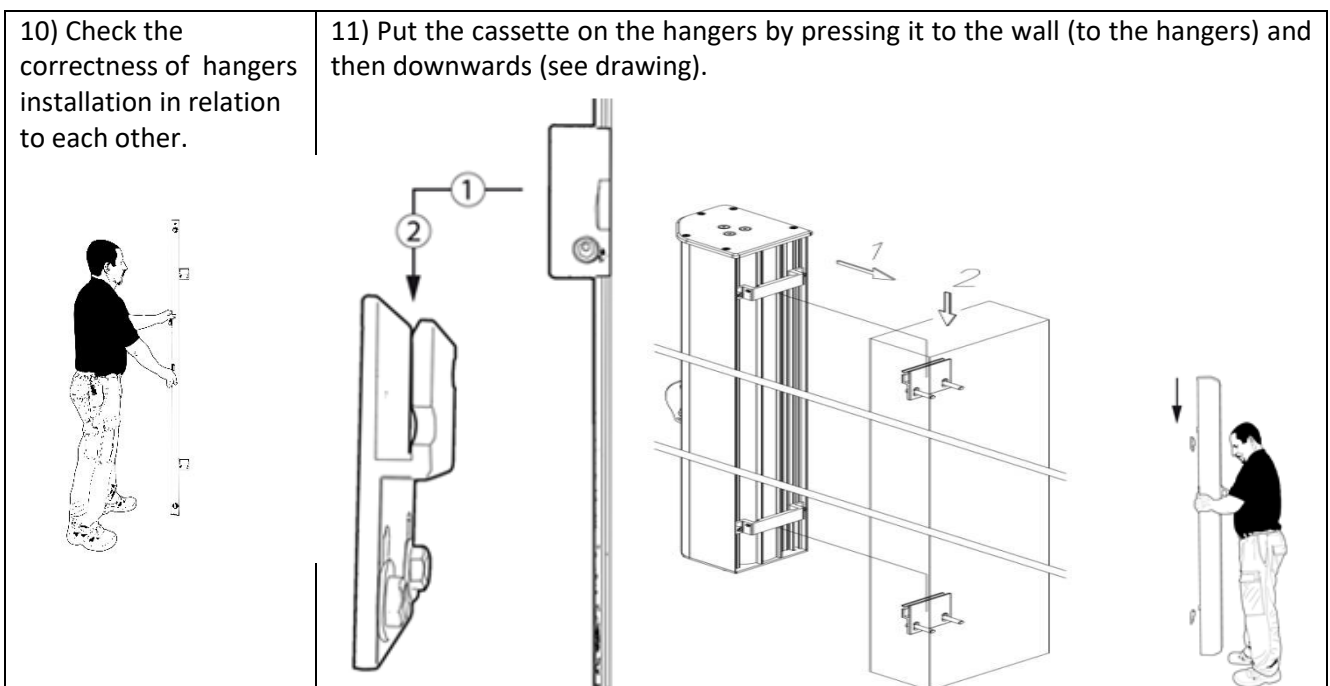
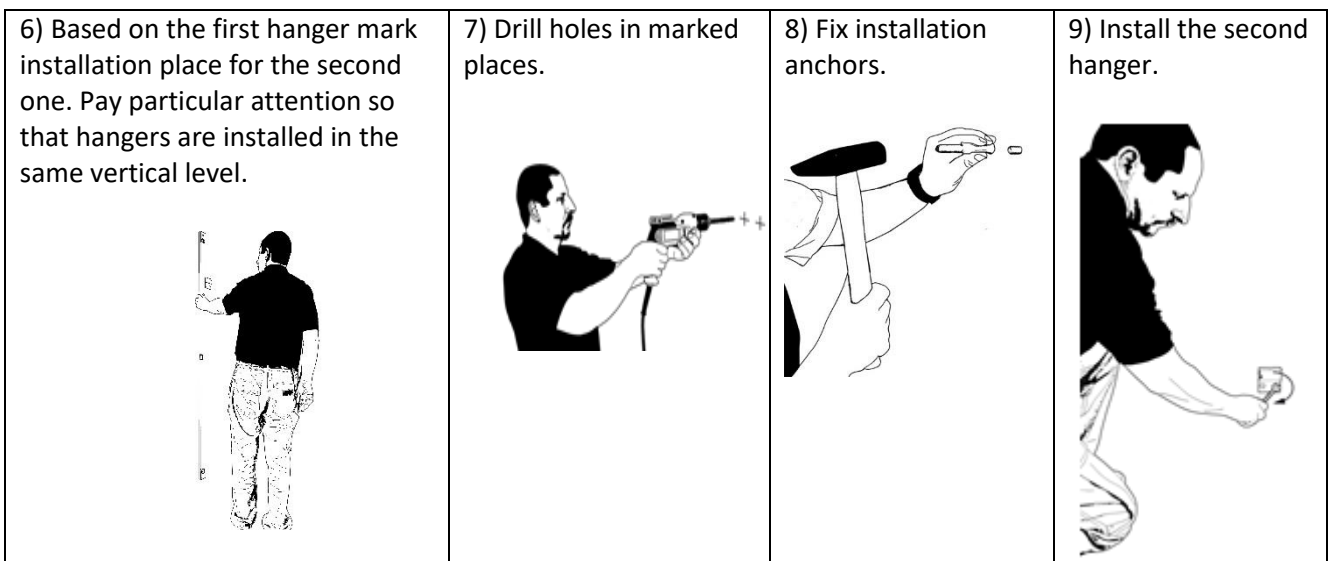
3.8.1 Cassette hangers installation

1) Prepare installation tools according to the list.

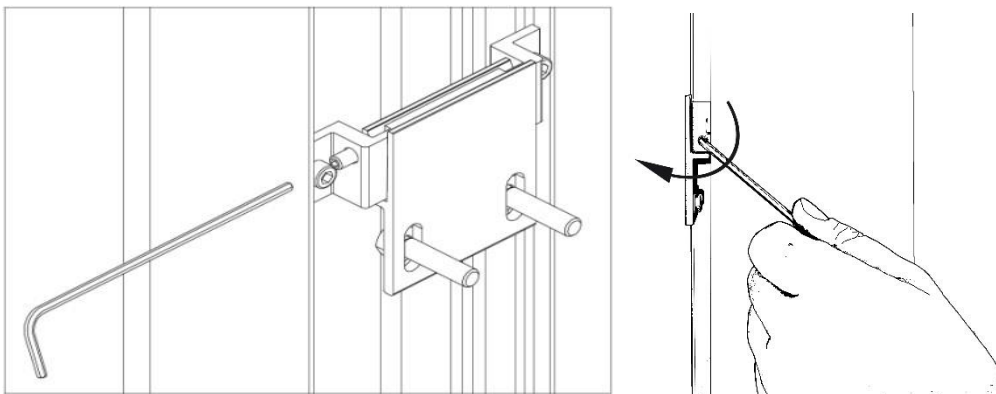


2) Start the installation from marking the installation spots for cassette hangers. Level the hangers vertically with spirit level and mark places for installation holes.





12) After setting up the cassette on the hangers secure it with set screws, which are located in the cassette bracket.



3.8.2 Fixed bracket installation

1) Mark installation holes for the footing plate.



2) Drill holes, fix installation anchors.



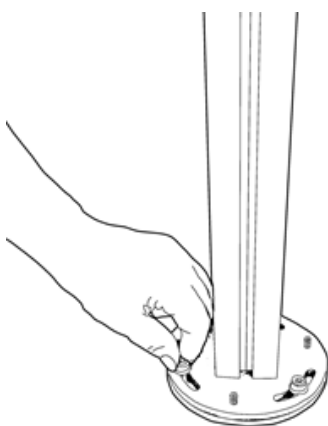
3) Screw on the footing plate.



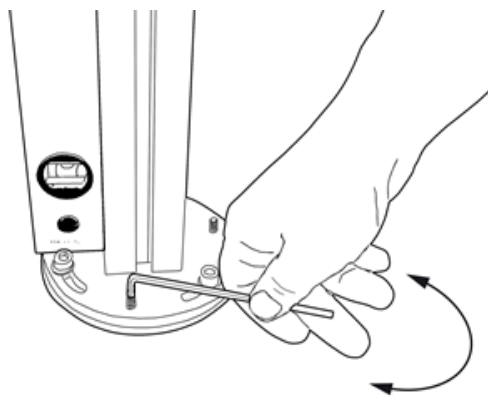
4) Set the front post on the foot plate.



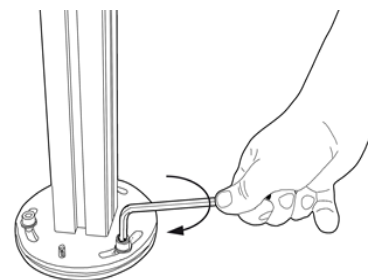
5) Connect the elements with screws and Allen key "6".



6) Level the bracket horizontally using set screws and Allen key "3".

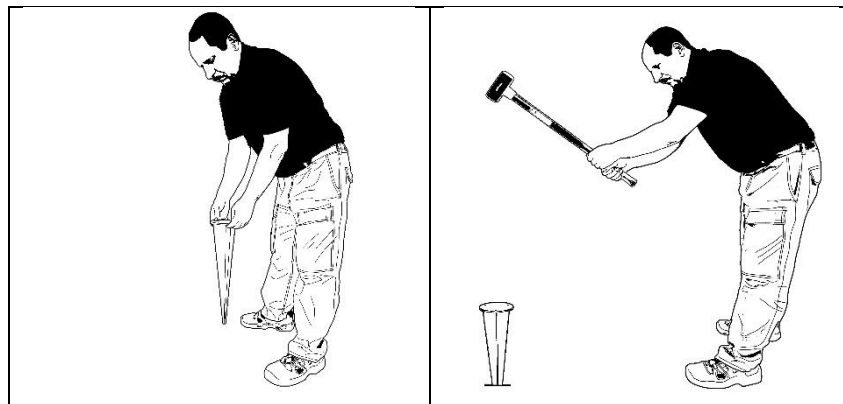


7) Screw down the fixed bracket.



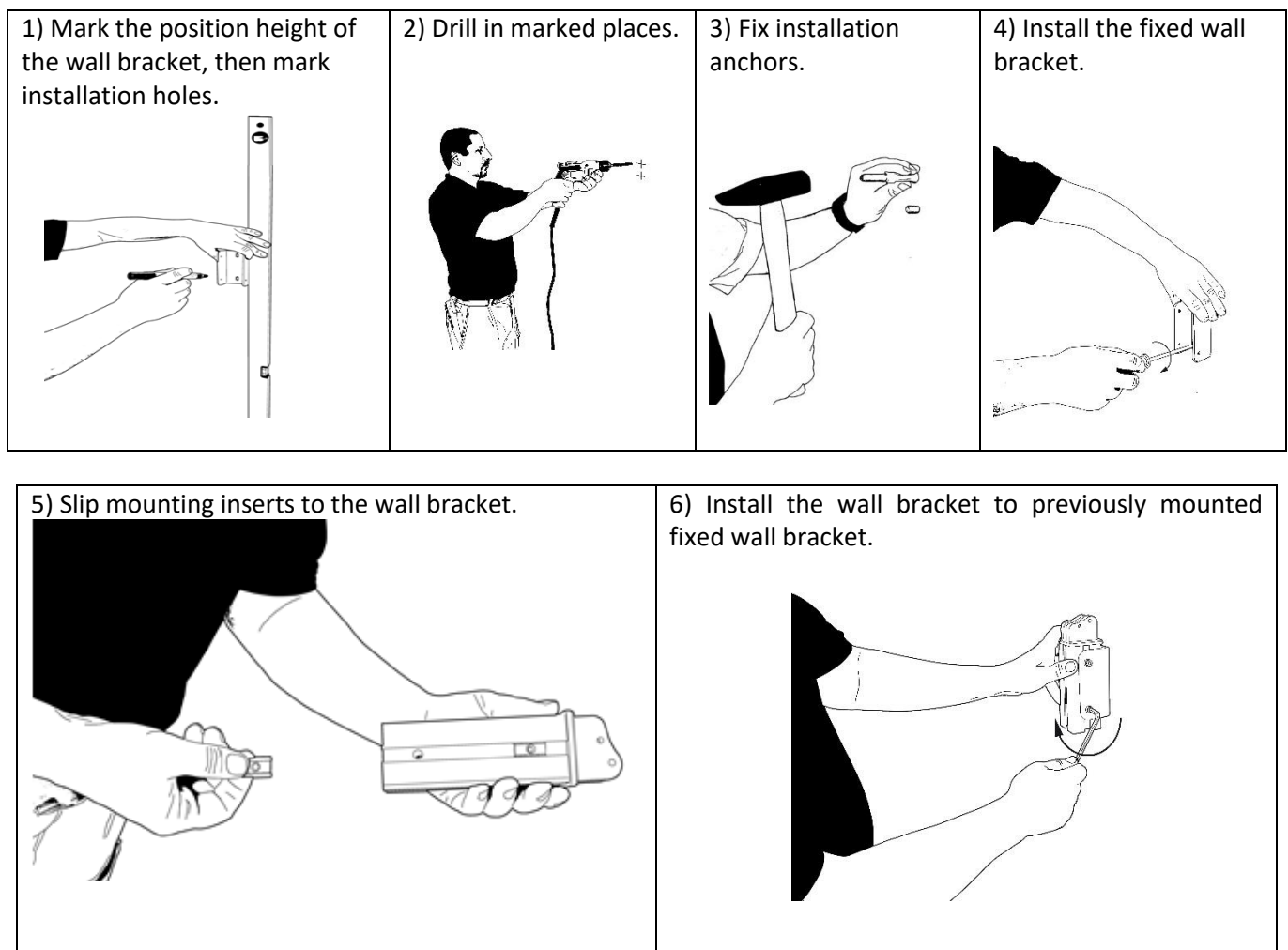
3.8.3 Fixed bracket installation (natural ground)

Fixed bracket can be also mounted to soft ground, using the 'mounting for natural ground' element. In that case this element is replacing the footing plate and is mechanically embedded to the ground. The fixed bracket is installed in the same manner as described in point 3.8.2.



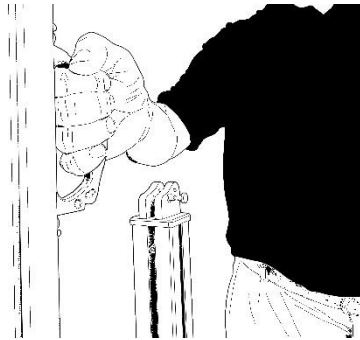
3.8.4 Wall bracket installation

Wall bracket should be screw into the fixed wall bracket, which should be installed to the wall in the first place.

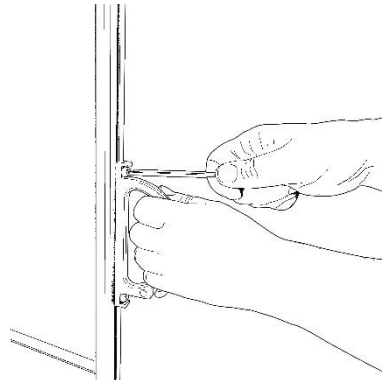


3.8.5 Handle regulation and locking in the bracket

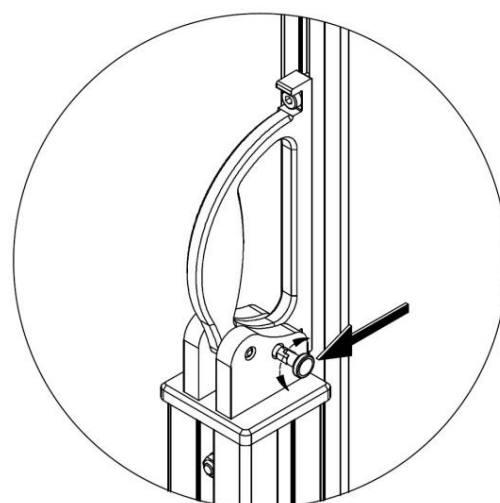
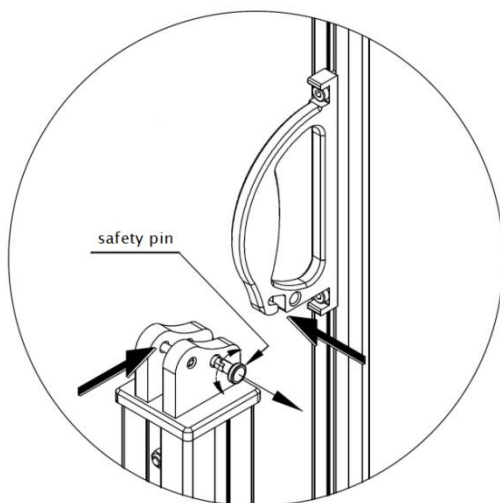
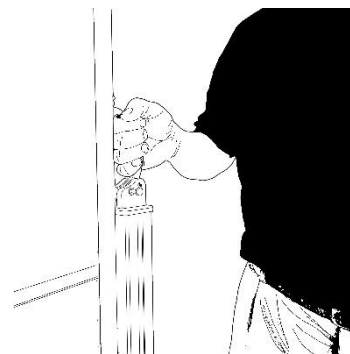
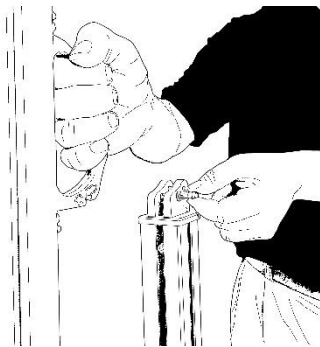
For matching the handle with the bracket and keeping the correct fabric tension it is possible to adjust the handle placement on front bar.



The adjustment of handle placement is performed with an Allen key.



To lock the handle in the bracket: Before putting the handle in the bracket pull out the safety pin and set in „withdraw” position with a 90° turn. Then hook the handle by its excision (pointed with an arrow on the drawing) to the pin. Hold the handle and check correctness of the mounting. If the mounting is correct, release the safety pin. This element locks the handle in the bracket and secures it from springing out.



4 Final remarks

4.1 *Completeness and qualitative state of delivery*

Selt SP. Z O.O. makes every effort to ensure that the goods are produced in accordance with the order. To check the completeness of the product is purchaser's duty and it should be conducted at the time of delivery. Any discrepancies of the product with the order should be reported immediately to the driver/warehouseman/installers and noted in the proof of delivery at the risk of rejecting claims regarding quantitative discrepancies. Checking the quality of the apparent defects should be done by the purchaser at the time of delivery. As apparent defects are considered mechanical damages, scratches, cracks, etc. Any discrepancies in quantity or possible replacements of parts being the evident result of Selt SP. Z O.O. fault, the company agrees to supplement or replace in the shortest possible time.

4.2 *General conditions for transport and storage of the product*

- The product is secured with air bubble film and polyurethane profiles, then is factory-packed in a cardboard box to prevent its damage during storage, transport and during its transportation to the place of final assembly,
- For the transport purposes, the products should be set in accordance with the arrows on the packaging,
- Product storage should not be performed in more than 2 layers, due to possibility of package crushing what in turn may lead to product permanent damage,
- Products placed on the means of transport must be secured against movement and damage during transport (e.g. spacers, safety belts, etc.).
- During transportation the products must be protected from the rain or snow,
- Storage places should be dry, airy and protected from the harmful effects of weather conditions (sun, rain, etc.),
- Where the weight of the product exceeds 25kg and its transportation to the place of final assembly must be carried out by at least two persons.

5 Disassembly/ Utilization/ Disposal



Improper system disassembly can result in severe injuries and system damage. System disassembly should be commissioned to a properly qualified assembly team or to a person suitably trained within industrial safety and with the knowledge concerning recovery.

Disposal of worn electrical and electronic equipment

After the end of product lifetime it must be disassembled and separate material must be segregated according to Regulation of the Minister of Environment of 9 December 2014 on waste catalogue – Dz. U. [Journal of Laws] of 2014 item 1923

No.	Subject	European legal basis	Polish legal basis
1	Waste catalogue	Commission Regulation (EC) No. 574/2004 of 23 February 2004 amending Annexes I and III to Regulation (EC) No. 2150/2002 of the European Parliament and of the Council on waste statistics.	Regulation of the Minister of Environment of 9 December 2014 on waste catalogue – Dz. U. [Journal of Laws] of 2014 item 1923.

6 Marking and labelling the product with CE mark


6.1 Product compliance with the CE standard

Products manufactured by SELT company meet the essential requirements of the standard introduced by the Polish Committee for Standardization as PN-EN 13561, which is confirmed by the manufacturer's declaration of performance and marking the product with the CE mark.


In order to maintain this condition and assure safe use and maintenance of the system, the installation and operating manual and instructions for safe use must be observed.

6.2 Information accompanying the CE mark

- a) Marking in the product


SELT Sp. z o.o. OPOLE, ul. Wschodnia 23A
EN 13561

b) Marking on accompanying documents


SELT Sp. z o.o. OPOLE, ul. Wschodnia 23A POLAND 07
EN 13561 Side awning BORA 200x400 For external use. Wind load resistance: 2 class Total solar energy transmittance g tot: 0,01-0,90*
DWU 66 / M / 2017