

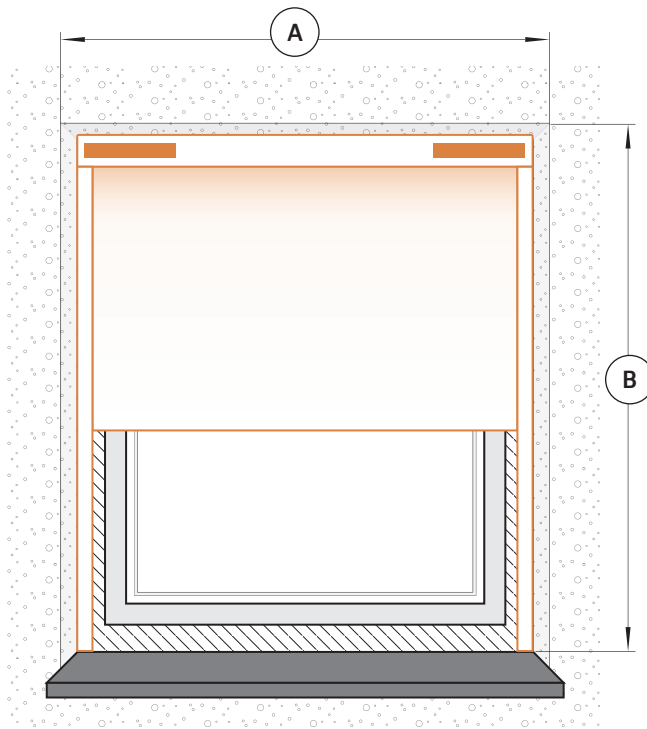
Vertical Awnings measuring instructions

Long and failure-free operation of a window shutter depends not only its high quality but also on correct fit and installation. To make the cover fit perfectly, the chosen place needs to be correctly and carefully measured.

You need to strictly follow the below supportive drawing:

External vertical awning installed in window recess

The measurement is made on the outer side of the window



A - WIDTH

This is the width of the recess. This dimension must be entered into the "width" field in our configurator.

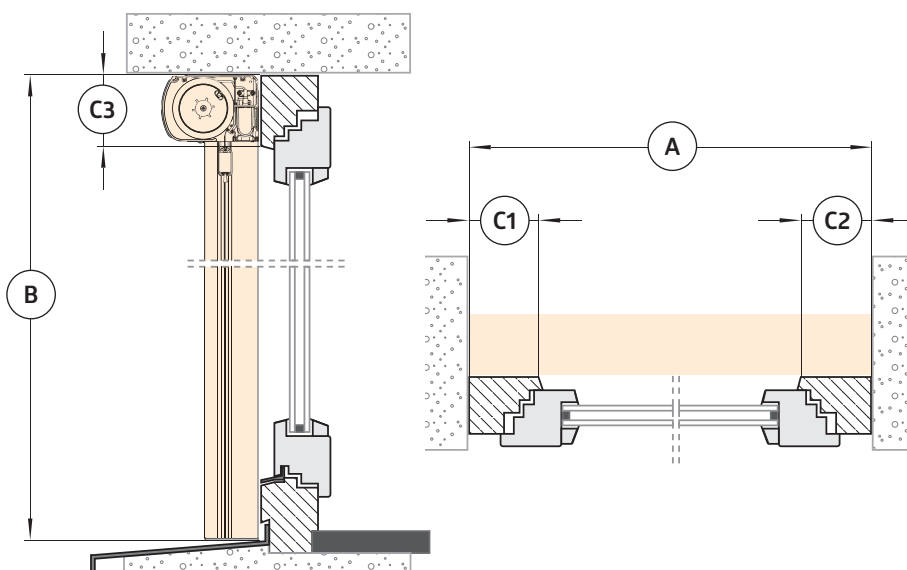
B - HEIGHT

This is the height of the recess. This dimension must be entered into the "height" field in our configurator.

C1, C2, C3 - WIDTH OF DEMONSTRABLE FRAME COMPONENTS

* C1 and C2 is the width of the frame showing the side portion C1<25 mm or C2<25 mm mounting is impossible

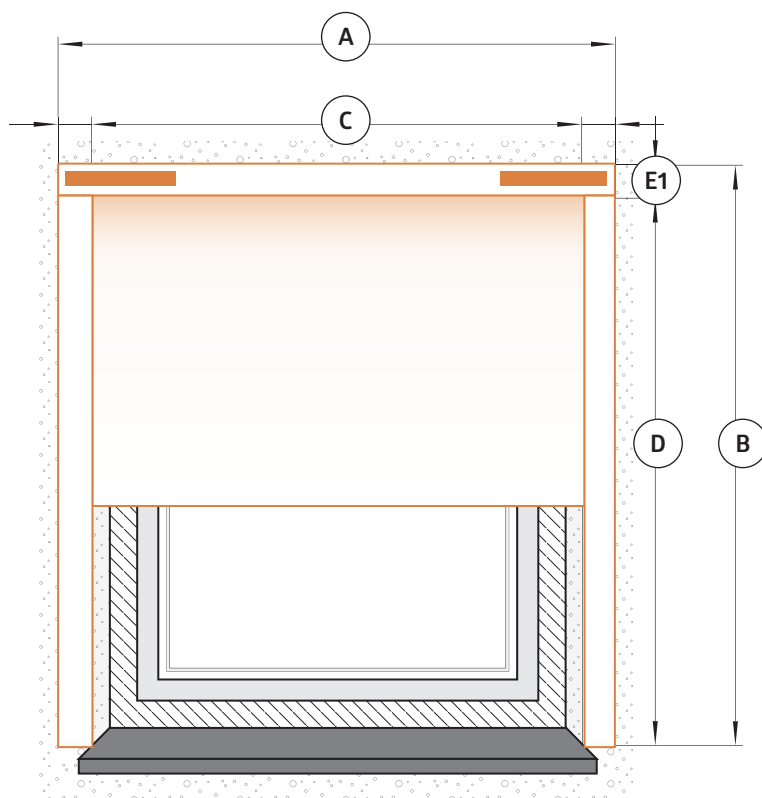
Measure the window recess in 3 places as shown above, and give as with the smallest measurement.



** All dimensions must be entered in millimeters*

External vertical awning installed on wall

The measurement is made on the outer side of the window



A - TOTAL WIDTH OF THE VERTICAL AWNING TOGETHER WITH GUIDES.

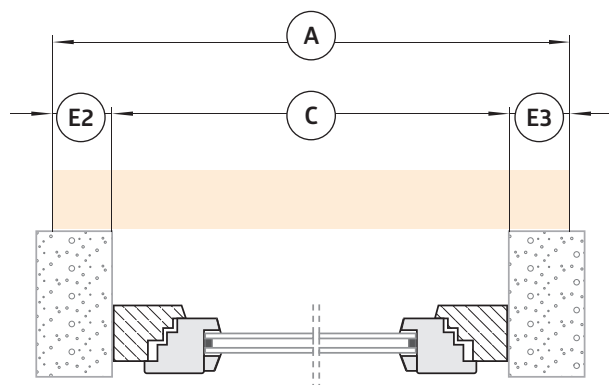
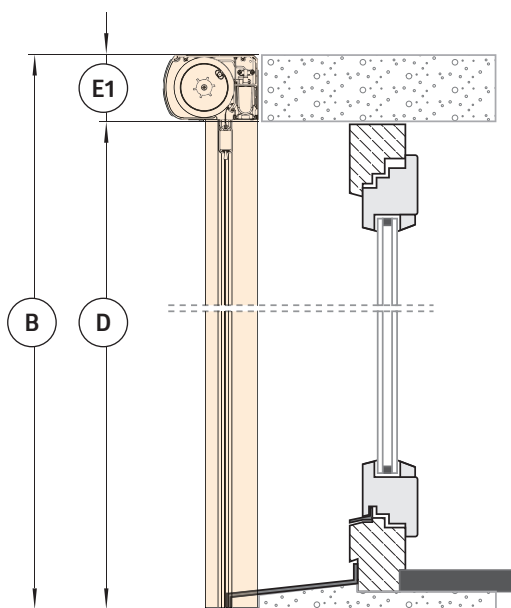
This dimension must be entered into the "width" field in our configurator

B - TOTAL HEIGHT OF THE VERTICAL AWNING TOGETHER WITH GUIDES.

E1 - BOX HEIGHT

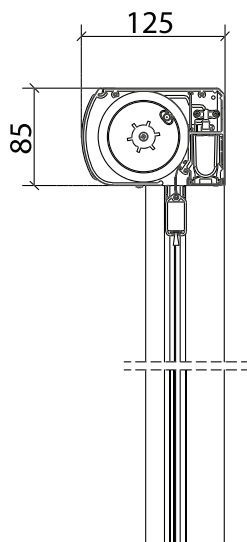
It is the box height without the guides see the table below "boxes dimensions"

E2, E3 - WIDTH OF DEMONSTRABLE FRAME COMPONENTS

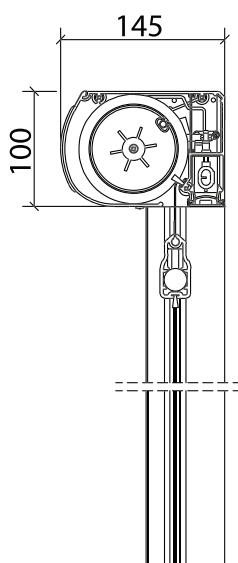


** All dimensions must be entered in millimeters*

Boxes dimensions

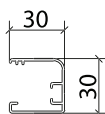
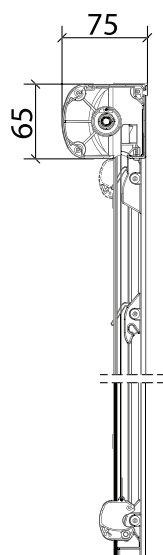
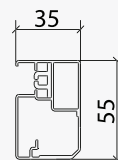
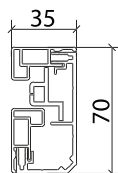


85 mm



100 mm

Boxes for electric and solar awnings



Box for hand operated awnings